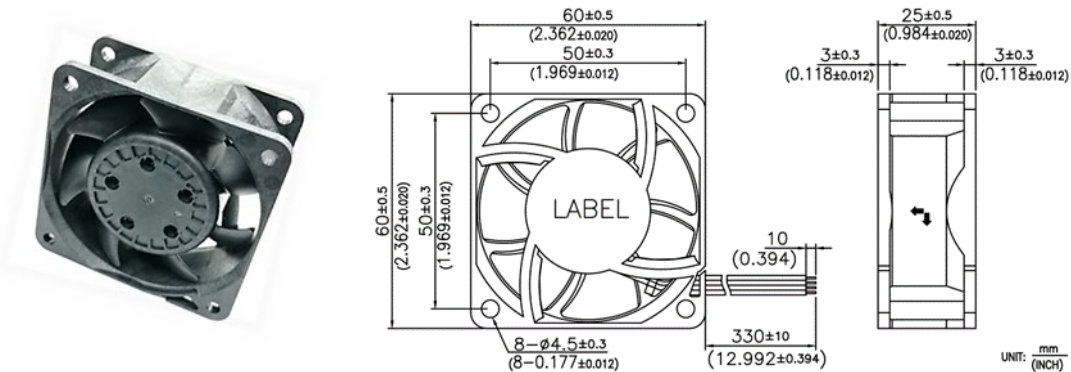


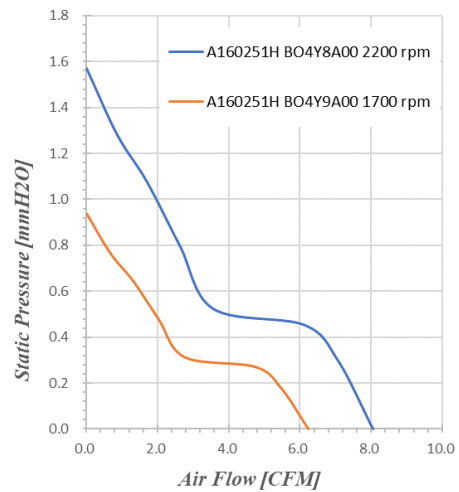
iCar Low Noise Fan 60*60*25 MM

High Operating Temp. AECQ Series

DIMENSION DRAWING



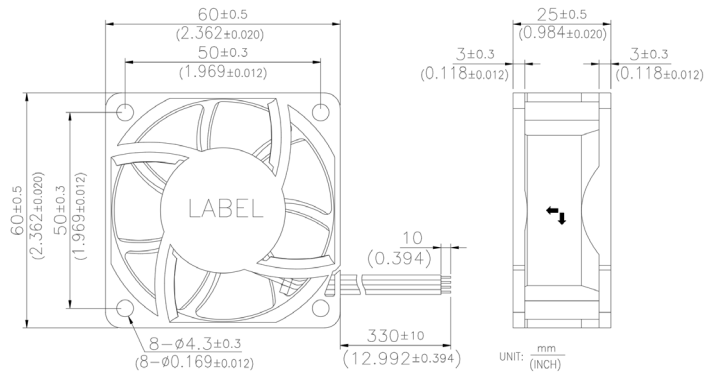
Housing : Plastic (UL 94V-0)
 Impeller : Plastic (UL 94V-0)
 Bearing : Ball bearing
 Operating temp : -40 ~ 95°C / 105°C
 Mass : 70.5g



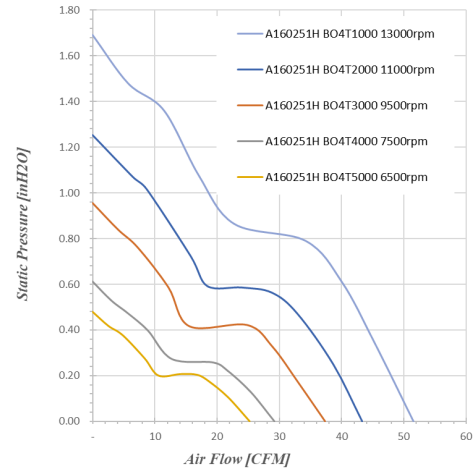
Product Type	Model No.		Control Type	Bearing Type	Rated Voltage	Operating Voltage Range	Operating Temp.	Speed	Input Current	Input Power	Maximum Air Flow		Maximum Air Pressure		Noise @100cm
					VDC	VDC	°C	R.P.M	Amp	Watt	CFM	m ³ /min	inH2O	mmH2O	
6025 12V Low Noise 95°C Series	A160251H	BO4X8A00	+/-FG/PWM	BALL	12	8~16	-40~95	2200	0.022	0.27	8.06	0.23	0.06	1.57	18.9
	A160251H	BO4X9A00	+/-FG/PWM	BALL	12	8~16	-40~95	1700	0.013	0.16	6.23	0.18	0.04	0.94	16.8
6025 12V Low Noise 95°C AECQ Series	A160251H	BO4T8A00	+/-FG/PWM	BALL	12	8~16	-40~95	2200	0.022	0.27	8.06	0.23	0.06	1.57	18.9
	A160251H	BO4T9A00	+/-FG/PWM	BALL	12	8~16	-40~95	1700	0.013	0.16	6.23	0.18	0.04	0.94	16.8
6025 12V Low Noise 105°C Series	A160251H	BO4Y8A00	+/-FG/PWM	BALL	12	8~16	-40~105	2200	0.022	0.27	8.06	0.23	0.06	1.57	18.9
	A160251H	BO4Y9A00	+/-FG/PWM	BALL	12	8~16	-40~105	1700	0.013	0.16	6.23	0.18	0.04	0.94	16.8
6025 12V Low Noise 105°C AECQ Series	A160251H	BO4U8A00	+/-FG/PWM	BALL	12	8~16	-40~105	2200	0.022	0.27	8.06	0.23	0.06	1.57	18.9
	A160251H	BO4U9A00	+/-FG/PWM	BALL	12	8~16	-40~105	1700	0.013	0.16	6.23	0.18	0.04	0.94	16.8

iCar Fan 60*60*25 MM AECQ Series

DIMENSION DRAWING



Housing : Plastic (UL 94V-0)
 Impeller : Plastic (UL 94V-0)
 Bearing : Ball bearing
 Operating temp : $-40 \sim 95^{\circ}\text{C} / 105^{\circ}\text{C}$
 Mass : 70.5g



Product Type	Model No.		Control Type	Bearing Type	Rated Voltage	Operating Voltage Range	Operating Temp.	Speed	Input Current	Input Power	Maximum Air Flow		Maximum Air Pressure		Noise
					VDC	VDC	$^{\circ}\text{C}$	R.P.M	Amp	Watt	CFM	m ³ /min	inH2O	mmH2O	
6025 12V 95 $^{\circ}\text{C}$ AECQ Series	A160251H	BO4T1000	+/-/FG/PWM	Ball	12	8~16	-40~95	13000	0.99	11.8	53.1	1.5	1.7	43.2	55.8
	A160251H	BO4T2000	+/-/FG/PWM	Ball	12	8~16	-40~95	11000	0.57	6.8	43.2	1.2	1.22	30.9	52.7
	A160251H	BO4T3000	+/-/FG/PWM	Ball	12	8~16	-40~95	9500	0.46	5.5	37.7	1.1	0.98	24.9	48.6
	A160251H	BO4T4000	+/-/FG/PWM	Ball	12	8~16	-40~95	7500	0.23	2.7	29.1	0.8	0.61	15.6	43.6
	A160251H	BO4T5000	+/-/FG/PWM	Ball	12	8~16	-40~95	6500	0.15	1.8	25.9	0.7	0.46	11.7	38.9
6025 12V 105 $^{\circ}\text{C}$ AECQ Series	A160251H	BO4U1000	+/-/FG/PWM	Ball	12	8~16	-40~105	13000	0.99	11.8	53.1	1.5	1.7	43.2	55.8
	A160251H	BO4U2000	+/-/FG/PWM	Ball	12	8~16	-40~105	11000	0.57	6.8	43.2	1.2	1.22	30.9	52.7
	A160251H	BO4U3000	+/-/FG/PWM	Ball	12	8~16	-40~105	9500	0.46	5.5	37.7	1.1	0.98	24.9	48.6
	A160251H	BO4U4000	+/-/FG/PWM	Ball	12	8~16	-40~105	7500	0.23	2.7	29.1	0.8	0.61	15.6	43.6
	A160251H	BO4U5000	+/-/FG/PWM	Ball	12	8~16	-40~105	6500	0.15	1.8	25.9	0.73	0.46	11.7	38.9